



AIR PILOTED VALVE ACTUATORS

MINIMUM PRESSURE REQUIRED (psig)*													
Clippard Valve	Pressure (psig)					Vacuum (" Hg)	Clippard Valve	Pressure (psig)					Vacuum (" Hg)
	w/MPA3	w/MPA-5	w/MPA-7	w/MPA-10	w/MVA-10			w/MPA3	w/MPA-5	w/MPA-7	w/MPA-10	w/MVA-10	
ES-1 Switch	12	4	2	n/a	n/a		FV-3	41	15	7.5	4.0	8.2	
MAV-2	23	8	4	2.0	4.2		FV-3P	41	15	7.5	4.0	8.2	
MAV-3	23	8	4	2.0	4.2		FV-4	41	15	7.5	4.0	8.2	
MAV-4	36	11	5.5	3.5	7.2		FV-4P	41	15	7.5	4.0	8.2	
MJV-4	36	11	5.5	3.5	7.2		FV-5	41	15	7.5	4.0	8.2	
MAV-4D	13	4	1.5	1.0	2.0		FV-5P	41	15	7.5	4.0	8.2	
MJV-4D	13	4	1.5	1.0	2.0		FV-3D	14	5	2.5	1.5	3.2	
MJV-2	30	10	5	3.0	6.2		FV-3DP	14	5	2.5	1.5	3.2	
MJV-3	30	10	5	3.0	6.2		FV-4D	14	5	2.5	1.5	3.2	
MAVO-2	27	9	4.5	2.5	5.2		FV-4DP	14	5	2.5	1.5	3.2	
MAVO-3	27	9	4.5	2.5	5.2		FV-5D	14	5	2.5	1.5	3.2	
MJVO-2	30	10	5	3.0	6.2		FV-5DP	14	5	2.5	1.5	3.2	
MJVO-3	30	10	5	3.0	6.2		GV-2/3	87	31	16	8.0	16.0	
HV-3/4	41	15	7.5	4.0	8.2								

*with 100 psig to valve inlet

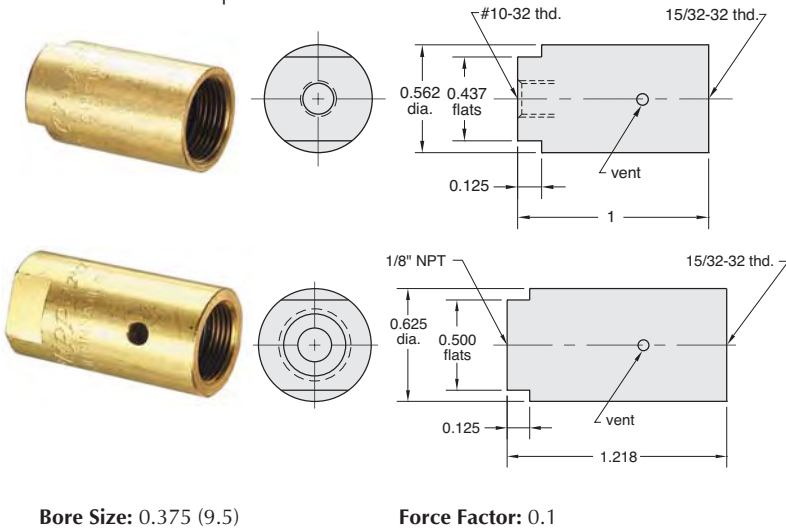
Single Acting Air Pilot Actuators

Input Pressure: 250 psig max.

Construction: Body - brass; Springs - stainless steel; Seals - Nitrile; Piston - Delrin®



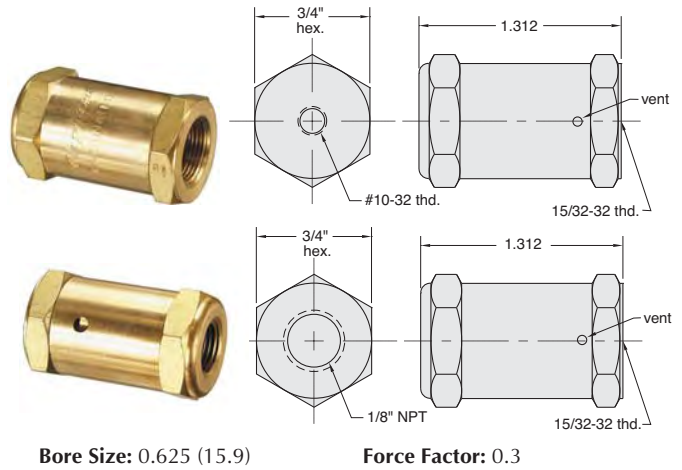
Mounting: #15/32-32 female thread to mount to Clippard miniature valves and components



Bore Size: 0.375 (9.5)

Force Factor: 0.1

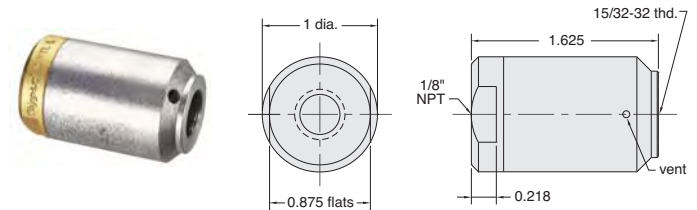
Part No.	Description
<u>MPA-3</u>	Single Acting, Spring Return Actuator, #10-32
<u>MPA-3P</u>	Single Acting, Spring Return Actuator, 1/8" NPT



Bore Size: 0.625 (15.9)

Force Factor: 0.3

Part No.	Description
<u>MPA-5</u>	Single Acting, Spring Return Actuator, #10-32
<u>MPA-5P</u>	Single Acting, Spring Return Actuator, 1/8" NPT



Bore Size: 0.875" (22.2) dia.

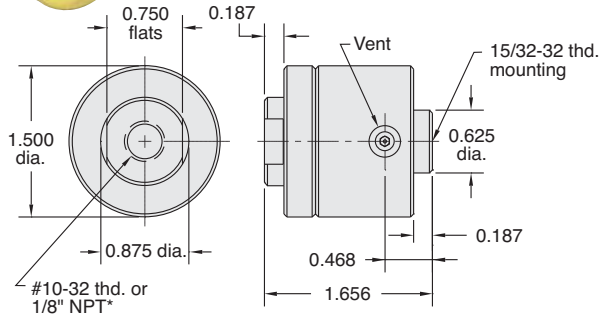
Force Factor: 0.6

Part No.	Description
<u>MPA-7</u>	Single Acting, Spring Return Actuator, 1/8" NPT

Pilot Actuators



Single Acting Spring Return Pilot Actuator



Bore Size: 1.250" dia.

Input Pressure: 150 psig max.

Mounting: #15/32-32 female thread to mount to Clippard Minimatic® valves and components; no spacers or washers are required when assembled to any Clippard valve; may be used with 15018-2 mounting bracket

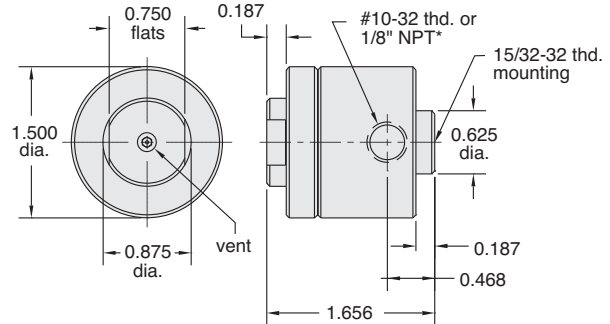
Force Factor: 1.2

Part No.	Description
<u>MPA-10</u>	Single Acting, Spring Return Actuator, #10-32
<u>MPA-10P</u>	Single Acting, Spring Return Actuator, 1/8" NPT

Vacuum Actuators



Single Acting Spring Return Vacuum Actuator



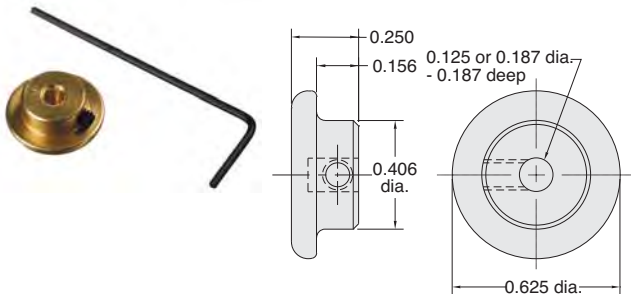
Input Pressure: 30 in. Hg

Mounting: #15/32-32 female thread to mount to Clippard Minimatic® valves and components; no spacers or washers are required when assembled to any Clippard valve; may be used with 15018-2 mounting bracket

Part No.	Description
<u>MVA-10</u>	Single Acting, Spring Vacuum Actuator, #10-32
<u>MVA-10P</u>	Single Acting, Spring Vacuum Actuator, 1/8" NPT

Push Button Actuators, 5/8"

Round Solid Brass 5/8" dia. Push Button



Use: Mounts directly on valve stem for manual operation of valve; prevents over-travel of valve stem by providing a positive stop

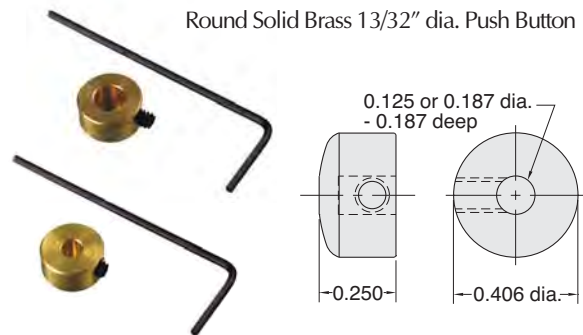
Mounting: 1/8" or 3/16" dia. mounting hole fits valve stems; locks in place by set screw (Allen wrench furnished)

Note: Individually packaged or bulk quantities available

Part No.	Description
<u>11916-1</u>	5/8" Brass Push Button, 1/8" Stem
<u>11916-2</u>	5/8" Brass Push Button, 3/16" Stem

Push Button Actuators, 13/32"

Round Solid Brass 13/32" dia. Push Button



Use: Mounts directly on valve stem for manual operation of valve; small size permits attachment to valve before valve is mounted through 15/32" dia. hole; prevents over-travel of valve stem by providing a positive stop

Mounting: 1/8" or 3/16" dia. mounting hole fits valve stems; locks in place by set screw (Allen wrench furnished)

Note: Individually packaged or bulk quantities available

Part No.	Description
<u>11916-3</u>	13/32" Brass Push Button, 1/8" Stem
<u>11916-4</u>	13/32" Brass Push Button, 3/16" Stem

Metric line available. Visit www.clippard.com